

# Wireless Gateway

## CIMCON's Ethernet, Cellular and WiFi Gateway



9.45 in. L x 6.30 in. W x 3.54 in. H  
240 mm L x 160 mm W x 90 mm H

CIMCON's Wireless Gateway serves as a "switchboard" for a group of intelligent wireless lighting controllers (iSLCs) to communicate with the CIMCON cloud-based Central Management System. Gateways use backhaul communications networks such as GPRS, Ethernet, WiFi or WiMax and also include a ZigBee® radio module for self-organizing, self-healing local wireless mesh networking.

## Key Features of the Wireless Gateway

### Robust and Reliable

Can communicate with up to 1,000 CIMCON intelligent wireless lighting controllers (iSLCs) spread across significant distances with high scalability and fault tolerance, using self-forming and self-healing mesh networking.

### Wireless Technologies

CIMCON's Wireless Gateway utilizes the latest developments in wireless technologies to configure and collect data from CIMCON's intelligent wireless lighting controllers (iSLCs) and transmit data to and from the CIMCON cloud-based central server.

### Local Intelligence

CIMCON's Wireless Gateway uses an extremely powerful 32-bit microcontroller that enables local complex logic and intelligence for faster response times and better performance.

### Local Data Storage

CIMCON's Wireless Gateway can store large amounts of data in the event of a communication link failure. This data is transferred to the cloud and CIMCON's cloud-based Central Management System once the link is available, thus ensuring data integrity.

### Multiple Connectivity Options

CIMCON's Wireless Gateway offers several wired and wireless options to connect to the cloud including Ethernet, Serial/USB Interface, GPRS (Cellular), WiFi and WiMax support.

### Simple Remote Configuration

CIMCON's Wireless Gateway can be remotely configured from an easy-to-use web interface. Configurations include: input and output mapping, polling rates and GPS coordinates.

### Multiple Protocol Support

CIMCON's Gateway provides support for several industry standard protocols that enable easy integration with other systems and networks.

### Network Fault Tolerance

Multiple Wireless Gateways can be configured in fault tolerant mode to provide the highest levels of network availability.

### Simple Installation

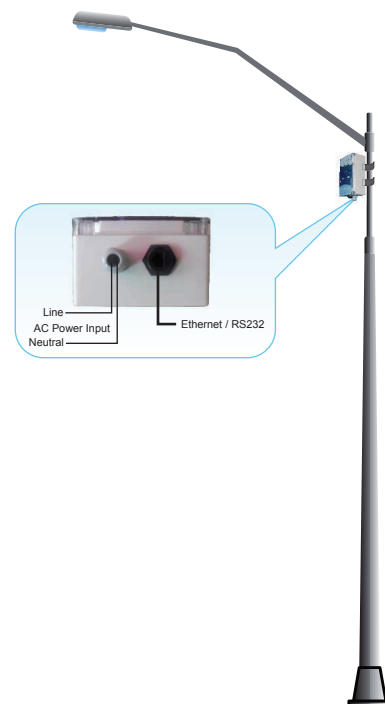
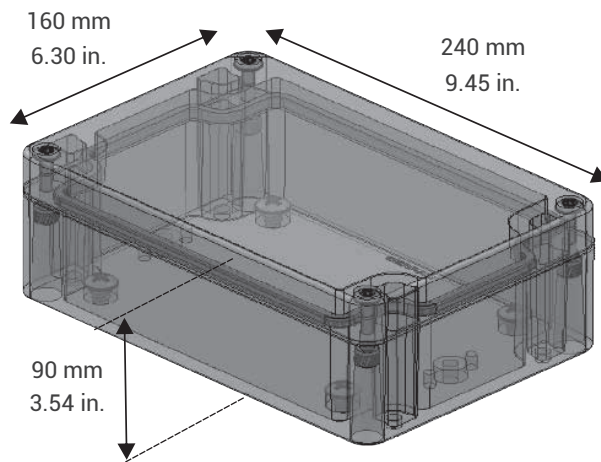
CIMCON's Wireless Gateway can be pole or rooftop mounted for easy installation.

# Wireless Gateway

## Technical Specifications

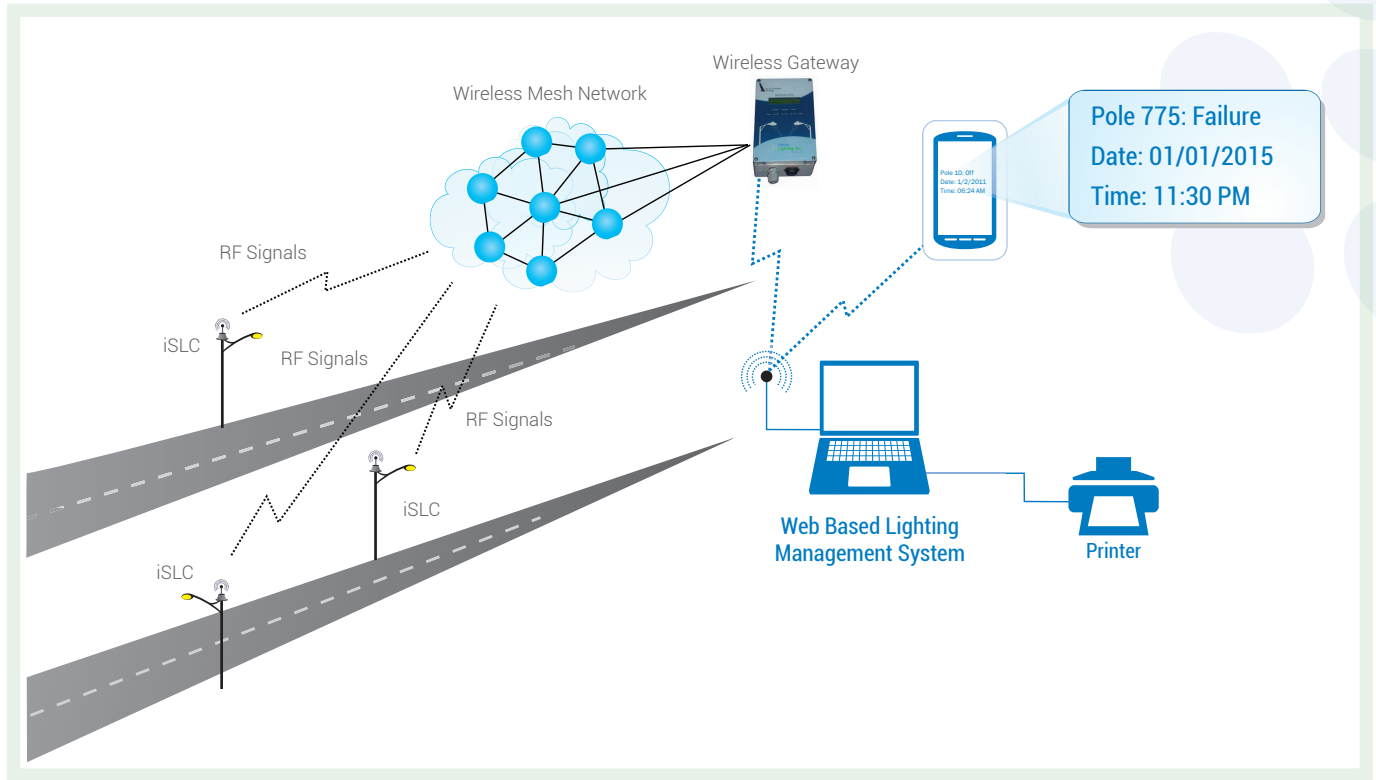
<b>Processor</b>	32-bit ARM9 running at 250 MHz
<b>Real Time Clock</b>	Battery-backed RTC
<b>Radio Communication</b>	2.4 GHz, IEEE 802.15.4 Data Rate: 250 kbps Receiver Sensitivity: -102 dBm Network Fault Tolerance: Self-healing mesh Open Field Range: 5000 ft/1.5 km RF Transceiver Certifications: United States (FCC), Canada (IC) and Europe (ETSI) Transmit Power: +18 dBm Network Type: Self-forming mesh network Hardware: CSMA/CA Mechanism Data Protection: 128-bit/256-bit AES encryption
<b>GSM Characteristics</b>	Quad band 850/900/1800/1900 MHz - GPRS multi-slot class 10 - GPRS coding scheme CS-1 to 4 - Packet data up to 85.6 kbps - Circuit-switched data up to 14,400 bps transparent and non-transparent
<b>Storage Memory</b>	256 MB XNAND Flash
<b>Power</b>	Universal AC input 90-305 VAC, 50/60 Hz
<b>Ports</b>	Ethernet: 10/100 Base-T, RS-232, USB 2 480 M/bits Host (2) / Device (1)
<b>Installation</b>	Pole Mount or Wall Mount
<b>Enclosure</b>	Dimension: 240 mm x 160 mm x 90 mm    Material: Polycarbonate
<b>Operating Conditions</b>	-40°C to 70°C / -40°F to 158°F, 20% to 90% Rh non-condensing
<b>IP Rating</b>	IP65
<b>Surge Protection</b>	Standard: 445 Joule CATB (6kV/3kA), Optional: 700 Joule CATC (20kV/10kA)

## Mechanical Specifications



# Wireless Gateway

## How It Works



## Project Information

Project Name

Date

Comments

Prepared By



Specifications subject to change without notice.  
Wireless Gateway-R3  
© CIMCON Lighting, Inc. 2016

**Worldwide Headquarters**

CIMCON Lighting, Inc.  
600 Technology Park Drive, Suite 100  
Billerica, MA 01821, USA  
(+1) 978 320 4002  
info@cimconlighting.com

**UK Office**

CIMCON Lighting Ltd.  
40 Bank Street, 30th Floor  
Canary Wharf, London E14 5NR  
(+) 020 3178 6931  
info.uk@cimconlighting.com

**Asia Pacific Office**

CIMCON Software (India) Pvt. Ltd.  
802, SAKAR IV, Ellisbridge  
Ahmedabad - 380 006, India  
(+) 91 79 2657 8639  
info.apac@cimconlighting.com