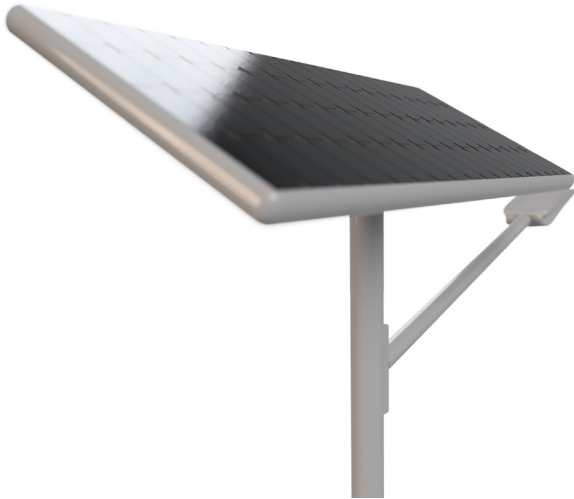


GFS-ASPIRE SMART SOLAR STREET LIGHT



CCT 4000K COLOUR TEMPERATURE	LED 187 LPW CREE ⇄ XP-G	CONTROLLER 99% MPPT EFFICIENCY	SOLAR PANEL 225W(p) 25 YEAR WARRANTY	PROTECTION INBUILT BMS SYSTEM	BATTERY LIFE UP TO 98 HOURS	WARRANTY 5 YEAR UNIT WARRANTY	OPERATING TEMP -20°C-70°C -4°F-158°F	MOTION SENSOR PASSIVE IR MOTION DETECTION
--	--	--	--	---	---	---	---	---



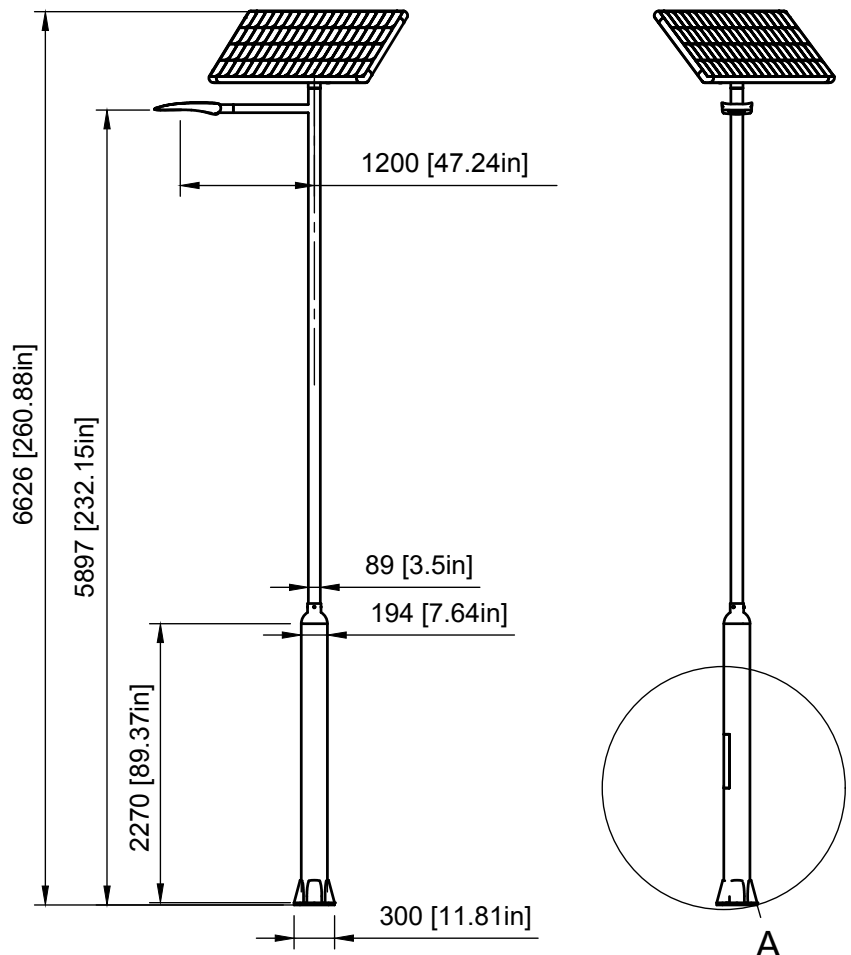
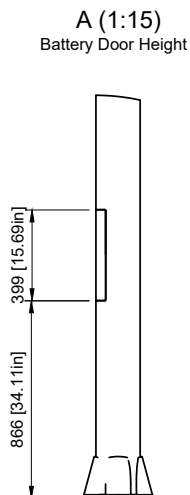
LED: 32 x CREE XP-G LED
OPERATION: Average of 14 hrs per night with 5 nights backup
RESISTANCE: IP68 waterproof construction and connectors
CONTROLLER: MPPT solar charge controller with programmable ON / OFF setting (dusk to dawn) 1-24 hours ON / 1-24 hours OFF
BATTERIES: 2 x GFS Advanced Cell Tech LiFePO4 Batteries
SOLAR PANEL: 225W(p) mono-crystalline panel with tempered glass and edgeless frame design to prevent dirt & avian fouling
LAMP OUTPUT: 1-70W (All Night)13,090lm + 30W PIR = 5,610lm
WARRANTY: Solar panel 25yr / Complete 5yr / Battery 10yr*

PRODUCT DIMENSIONS

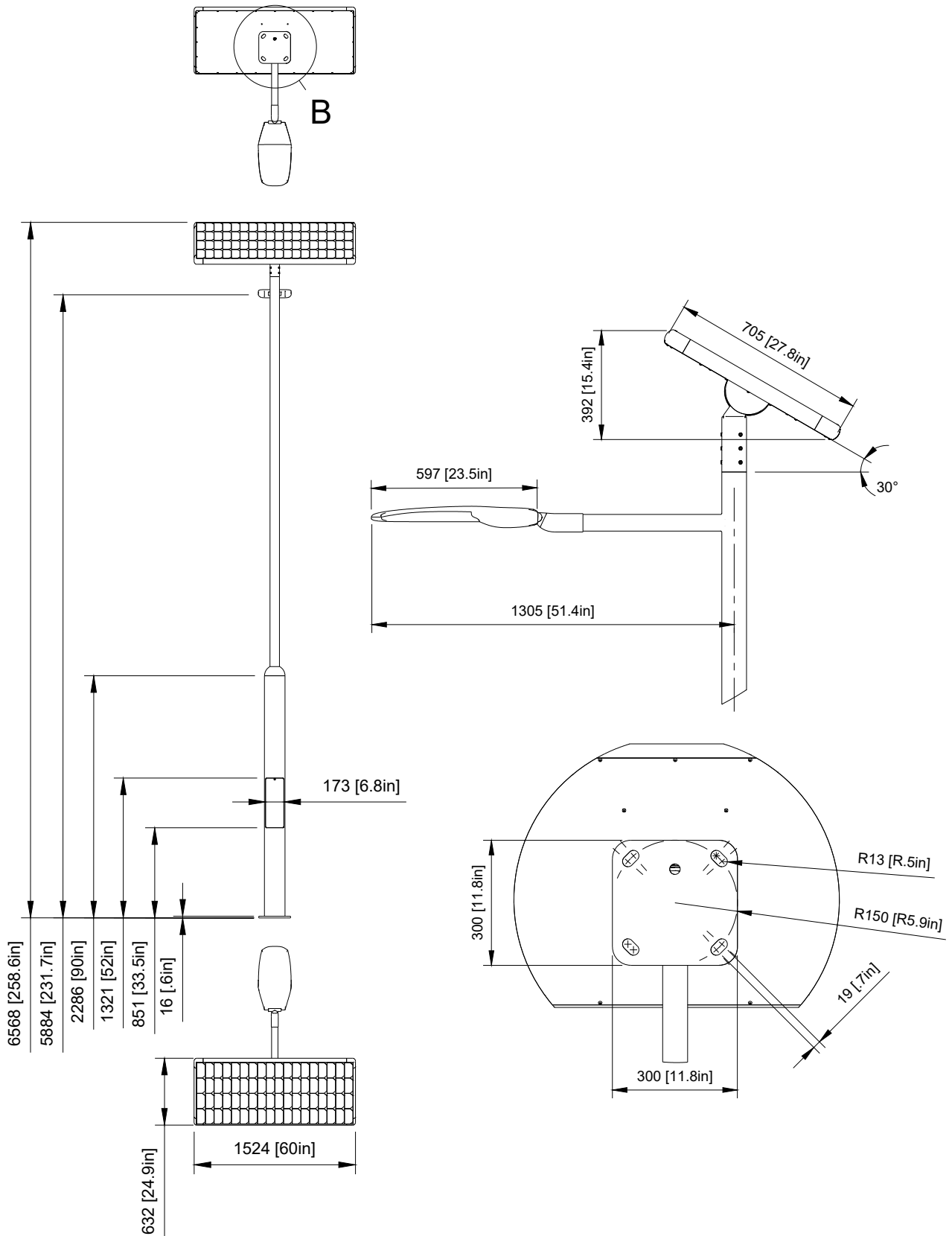
PACKAGE CONTENTS :

1. Instruction Manual
- Solar Panel Assembly
- LED Light
- Single Piece Pole
- Fixture / Battery Cable
- Bird Guard
- Batteries (x2)
- Solar Controller

The GFS- ASPIRE Solar Light Kit can be installed without an electrician as all electrical circuits are low voltage.



GFS-ASPIRE SMART SOLAR STREET LIGHT



GFS-ASPIRE SMART SOLAR STREET LIGHT



LED	
32 x CREE XP-G LED configured in 2 x 18 LED banks (USA made)	
1-70W (All Night Operation) = 13,090lm + 5,610lm 30W PIR BOOST (When Triggered) = 18,700lm MAX	
4000K CCT, 70 CRI 187lm/W	
Tilttable LED angles -15° to +15°	
Dual LED module for redundancy	
LENS	
Impact resistant PEET ultra clear acrylic lens allows for evenly distributed illumination	
Dual lens design offering lens mixing. (Type 3 / 5)	
<ul style="list-style-type: none"> Type 3 (standard) - pathway lens 135° x 85° Type 5 (optional) - spherical lens 110° x 135° 	
SOLAR PANEL	
225W(p) mono-crystalline panel with 24% efficiency	
Impact resistant tempered glass solar panel assembly with protective stone guard plate on back of panel as standard.	
Variable angle design with 360° horizontal solar panel rotation	
BATTERY	
2 x 25.6V 28.8Ah Replaceable, 1474Wh LiFeP04 Batteries (ACT)	
Upgradeable to Four (4 = 2949Wh) GFS Advanced Cell Technology (ACT) Batteries (in pole, sealed)	
5 nights backup power** (60hours @ 30W)	
SOLAR CHARGE CONTROLLER	
1-70W All night operation with 30W PIR Boost when triggered	
Monitors system vitals - LED / solar / battery & temperature	
In built soft start constant current LED driver with over voltage, over current and short circuit protection	
MPPT (maximum power point tracking) charging with 99% tracking efficiency	
IOT Smart city ready using GFS-SAM monitoring system***	
Programmable turn on hours, before sunrise	
MOTION SENSOR	
PIR passive infrared with repeat trigger feature (stays on full power for 30 seconds longer than the heat source or movement is detected)	
Reduces false triggering (trees, high winds and small rodents)	
360° detection range from 6m / 20FT on 6m pole / 20FT on 20FT pole*	
Boost mode (60W) ON time once triggered - 30 seconds after motion finishes	
OPERATING TEMPERATURE	
-20°C to 70°C / -4°F to 158°F	

**	Days backup is calculated on a 12 hour night time operation @ 11,220 lumens
***	When fitted with optional GFS-SAM control system
****	GFS does NOT guarantee lighting performance due to factors outside of GFS control such as shading, dirt, bird fouling etc. Battery performance may reduce in very low temperatures without reducing the cycle life.

SAIL AREA / EPA - COMPLETE SYSTEM			
0.65m ² / 7 FT ² @ 30° mounting angle			
WARRANTY			
UNIT WARRANTY		BATTERY PERFORMANCE	
Solar Panel	25 Years	Base Warranty Period (Below 50% of original capacity design)	3 years
Mounting Bracket	5 Years		
LED Light Fixture	5 Years	61-72 months from purchase date	90% off Standard Price
Electronics	5 Years	85-96 months from purchase date	70% off Standard Price
Battery Defect Warranty	10 Years*	97-108 months from purchase date	55% off Standard Price
*Full warranty details are on our website at → greenfrogsystems.com.au/warranty		109-120 months from purchase date	40% off Standard Price
CERTIFICATIONS			
ISO 9001:2015 QUALITY ASSURED COMPANY			
ASNZS 1158.3.1 Pedestrian area (Category P) lighting			
Product and component certifications listed UL E349212 LED, UL3135 Cabling, UL1598 Safety Luminaires, UL8750 LED Safety			
Certified to meet ANSI/IES RP-8-14 and ANSI/IES RP-20-14 lighting standards			
3.1 P1-P12, AS60598 Australian Certified LED			
STANDARD MOUNTING HEIGHT			
LED 6m / 19.68FT above grade			
PACKAGE WEIGHT			
Crate: 191 kg / 421 lb			
PACKAGE DIMENSIONS			
Crate: 1650 x 880 x 560 mm / 65" x 35" x 22"			
Pole: 6000 x 610 x 310 mm / 236.2" x 24" x 12.2"			
OPTIONS			
Anti-Climbing Spike Collar			
Stone Guard - LED / Solar Panel			
Powder Coating (any color)			
Twin Head LED			
4K CCTV Solar Powered Security Camera			