

GFS-HALO

SOLAR SECURITY LIGHT



The GFS-HALO is the smallest solar light in the Green Frog Systems range. Innovatively designed with an integrated solar panel and an external solar panel, this LED light is easily mountable to poles and walls, giving you the ability to have immediate lighting without requiring an electrician to install.

The GFS-HALO provides general illumination for both indoor and outdoors areas making it ideal for BBQ areas or anywhere you need to work safely. In addition, this solar light is practical; it can be used for small pathways and driveways, increasing security and safety within any given area.

APPLICATIONS






- Public Amenities
- Carports
- Community Mailboxes
- Dog Parks
- Stairways
- Caravan Parks
- Camping Grounds

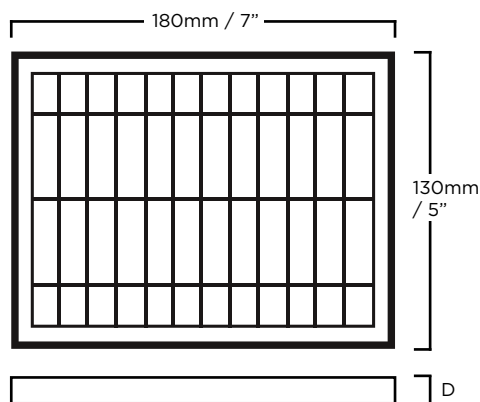
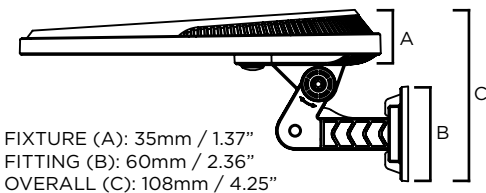
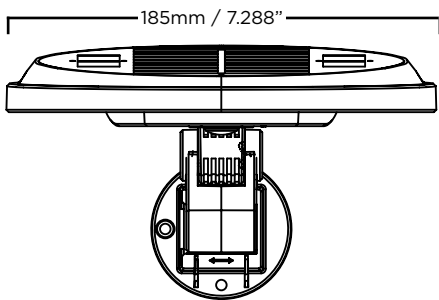
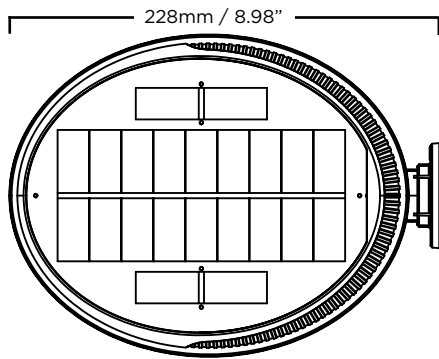
FEATURES

- Fully Weatherproof IP65 ABS Exterior Shell
- Split Panel Design with Additional External Solar Panel
- All Night Operation with Automatic Dusk / Dawn Detection
- 3 -5 Nights Autonomous Operation From One Full Charge
- PIR Motion Sensor Equipped Unit with 6W Full Power Mode
- 2 Year Complete Unit Warranty

GFS-HALO TECHNICAL DATA



						
228 / 8.98	185 / 7.29	108 / 4.25	1.1 / 2.5	IP-65	IK-08	720
Length (mm/inch)	Width (mm/inch)	Height (mm/inch)	Weight (kg/lb)	Ingress Protection	Impact Resistance	Lumen Output



REMOTE PANEL HEIGHT (D): 18mm / 0.70"

GFS-HALO	
Solar Panel Wattage Size	Integrated 3W + Remote 5W = 8W Total
Solar Panel Efficiency	→17%
LED Fixture - Total Lumens	720
Fixed High Mode Watts	6
Standard Dim Mode Watts	1.2
Lumens Per Watt (lm/w)	120
Correlated Color Temperature (CCT)	6000K
LED Manufacturer	Epistar
Motion Sensor	PIR Activated 30 Seconds Full Power
Dimming Mode	20% All Night Long (1.2W, 144 lumen) 100% (6W, 720 lumen) When PIR Is Triggered
Optics	Type 5
Standard Mounting	Surface Mounted - Tilttable
Fixture Material	Black ABS Plastic
Fixture Size	Metric - 228 L x 185 W x 108 H (mm) Standard - 8.98" L x 7.29" W x 4.25" H
Pole Details	Excluded
Typical Mounting Height	1.5-4m / 5-13ft Above Grade
Typical Spacing	Custom
Battery Type	Integrated Li-Ion
Battery Watt Hours (Wh)	16.28
Battery Backup (hrs)	13.57
Battery Volts DC	3.7
Battery Amp Hours (Ah)	4.4
Average Power (Over 12hrs)	1.2
Working Times	3 - 5 Nights
Working Times (Hours)	13.6
Expected Battery Life Span	3 Years
Complete System (EPA)	0.024m ² / 0.265 SQ FT
Working Temperature	-25°C to 60°C / -13°F to 140°F
Complete System Weight	1.1kg / 2.5lb
Warranty Period	Complete 2 Years, 10 Years on Solar Panel, 2 Years on Battery

ALL PRODUCT, PRODUCT SPECIFICATIONS AND DATA ARE SUBJECT TO CHANGE WITHOUT NOTICE TO IMPROVE RELIABILITY, FUNCTION, DESIGN OR OTHERWISE.

HEAD OFFICE greenfrogsgystems.com.au +61 8 7200 3909 | USA / AMERICAS greenfrogsgystems.com +1 (214) 838-7010 | E&OE | JAN 2019