

GFS-STEALTH SOLAR PATHWAY LIGHT

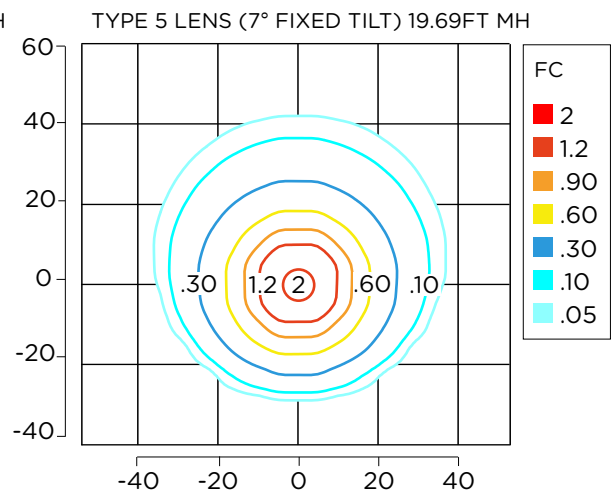
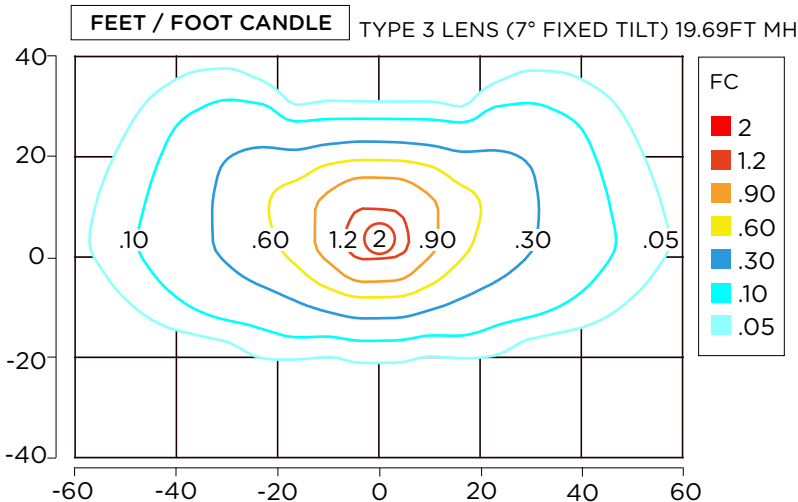
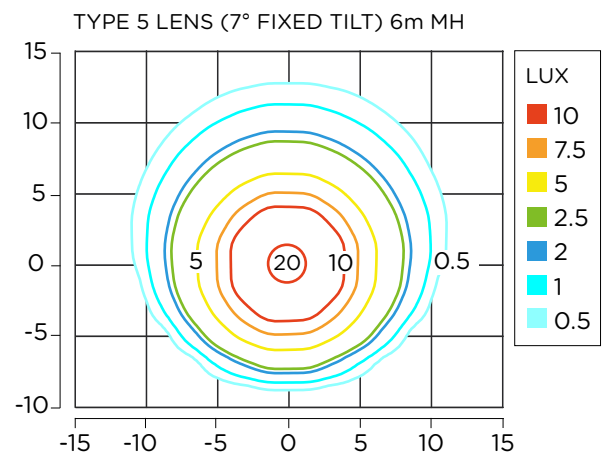
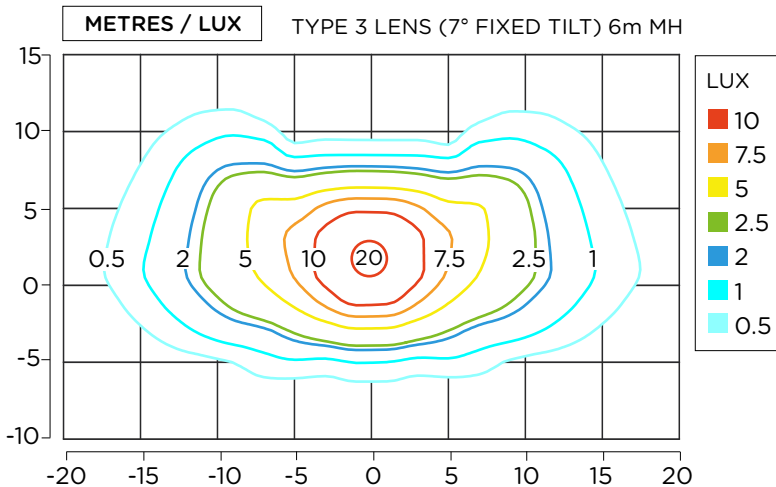


CCT 4000K COLOUR TEMPERATURE	LED 187 LPW CREE XP-G	CONTROLLER 99% MPPT EFFICIENCY	SOLAR PANEL 50W N-MONO MILITARY GRADE	PROTECTION INBUILT BMS SYSTEM	BATTERY LIFE UP TO 54 HOURS	WARRANTY 7.5 YEAR UNIT* WARRANTY	OPERATING TEMP -20°C to 60°C	MOTION SENSOR PASSIVE IR MOTION DETECTION
---	------------------------------------	---	--	---	---------------------------------------	--	--	---



LED: CREE 15W full power / 7.5W all night operation
MOTION DETECTION: 360° sensing range with re-trigger modes
WEATHER RESISTANCE: Fully sealed IP65 waterproof construction, with 316 / 304 grade stainless steel components
CONTROLLER: MPPT controller with programmable ON / OFF settings between 1-23 hrs
BATTERIES: 12.8v 32Ah (409.6Wh) LiFePo4 battery with inbuilt BMS
SOLAR PANEL: 50W USA made n-mono-crystalline solar panel with class leading 24% solar cell efficiency
ASSEMBLY: 4mm / 0.15" die cast aluminium chassis with TIGER Drylac® marine grade powder coating (black as standard)
VANDAL RESISTANCE: Impact resistant IK10 polycarbonate LED lenses and impact resistant tempered glass solar panel

PHOTOMETRICS



GFS-STEALTH SOLAR PATHWAY LIGHT



LED	
14 x CREE XP-G LED configured in 2 x 7 LED arrangement	
2,805lm boost mode / 1,402lm all night operation (depending on dimmer setting)	
4000K CCT, 70 CRI 187lm/W	
Dual LED drivers Bank 1 - (7 x LED 1402 lm) (low mode with dimming control 1-7.5W) Bank 2 - (7 x LED 1402 lm) motion sensor triggers boost mode - full power 15W for 30 seconds / until motion is no longer detected	
OPTICS	
IK10 polycarbonate lens for an evenly distributed light pattern	
<ul style="list-style-type: none"> Type 3 (standard) - bat wing (pathway) lens 135° x 85° Type 5 (optional) - spherical (round) lens 110° x 135° 	
MOTION SENSOR	
PIR passive infrared with repeat trigger feature (stays on full power for 30 seconds longer than the heat source or movement is detected)	
Eliminates false triggering (trees, high winds and small rodents)	
360° detection range from 6m / 20FT on 6m pole / 20FT on 20FT pole*	
Boost mode ON time once triggered - 30 seconds after motion finishes	
SOLAR PANEL	
50W USA made n-mono-crystalline panel with 24% cell efficiency	
Advanced edgeless frame design at 7° angle prevents build up of dirt and bird fouling	
Optimum power at any solar orientation due to advanced cell and controller technology	
BATTERY	
GFS designed Advanced Cell Technology (ACT) - LiFePO4 battery	
12.8v / 32Ah (409.6Wh) providing 4.5 nights backup power**	
54 hours continuous light output in all night mode (1,402 lm)	
Integrated Battery Management System (BMS) featuring short circuit, over-temperature, over-charge/discharge and over-current protection	
Cell balancing technology with temperature compensation	
SMART CONTROLLER	
Monitors system vitals including LED /solar / battery and temperature	
Adjustable dimmer settings to prolong light output in partially shaded environments or reduce light output in sensitive areas	
MPPT (maximum power point tracking) charging with 99% tracking efficiency	
IOT Smart city ready using GFS-SAM monitoring system***	
Real time clock for precise ON / OFF times	
Custom multiple ON / OFF options per night with ability to set ON hours, before sunrise	

*	Based on standard tests at 25°C at 6m / 77°F at 20ft mounting height in test conditions. Stealth lights mounted on higher poles will shorten the sensing range
**	Days backup is calculated on a 12 hour night time operation @ 1402 lumens
***	When fitted with optional GFS-SAM control system
GFS does NOT guarantee lighting performance due to factors outside of GFS control such as shading, dirt, bird fouling etc. Battery performance may reduce in very low temperatures without reducing the cycle life.	

HOUSING + PAINT	
Heavy duty IP65 die-cast aluminium housing with TIGER Drylac® marine grade powder coat and stainless 316 and 304 grade fixtures	
SAIL AREA / EPA	
0.1146 m ² / 1.2333 FT ²	
CERTIFICATIONS	
ISO 9001:2015 QUALITY ASSURED COMPANY	
ASNZS 1158.3.1 Pedestrian area (Category P) lighting	
UL Recognised Component, UL1642 Battery, IEC62133CE/BIS, CE ISO9227-2017 Salt Spray, ISO12944 Paint Corrosion Resistance, UL3135 Cabling, UL1598 Safety Luminaires, UL8750 LED Safety, UL1703, FCC Part 15 class B	
Certified to meet ANSI/IES RP-8-14 and ANSI/IES RP-20-14 lighting standards	
DIMMING MODE	
50% All Night Mode (7.5W, 1402lm). 100% (15W, 2,805lm) when PIR is triggered 100% mode sustained until 30 seconds after motion finishes	
FIXTURE SIZE	
540mmL x 540mmW x 66mmH / 21.26" L x 21.26" W x 2.6" H	
POLE MOUNT BRACKET	
60mm spigot / 2-3/8" OD tenon	
TYPICAL FIXTURE SPACINGS	
P4 = 46.5m P3 = 19.3m / T5 = 80ft T3 = 120FT	
WEIGHT	
Complete unit : 23 kg / 50.7 lb includes (PMB) Light head: 17.2 kg / 37.9 lb	
OPERATING TEMPERATURE	
-20°C to 70°C / -4°F to 158°F	
PACKAGE WEIGHT	
Boxed Stealth: 21.25 kg / 48.8 lb Pole Mount Bracket (PMB): 5.65 kg / 12.5 lb Wall Mount Bracket (WMB): 6 kg / 13.2 lb spigot Pole: 20.15 kg / 44.4 lb (top + bottom)	
PACKING DIMENSIONS	
Box: 620mm x 620mm x 182mm / 24.4" x 24.4" x 7.1" Pole Mount Bracket (PMB) : 590 x 260 x 200mm / 23.2" x 10.23" x 7.87" Wall Mount Bracket (WMB): 590 x 260 x 100mm / 23.2" x 10.23" x 3.93" Pole: 3000 x 76 x 76mm x (2 sections) / 118.1" x 3" x 3" (2 sections)	

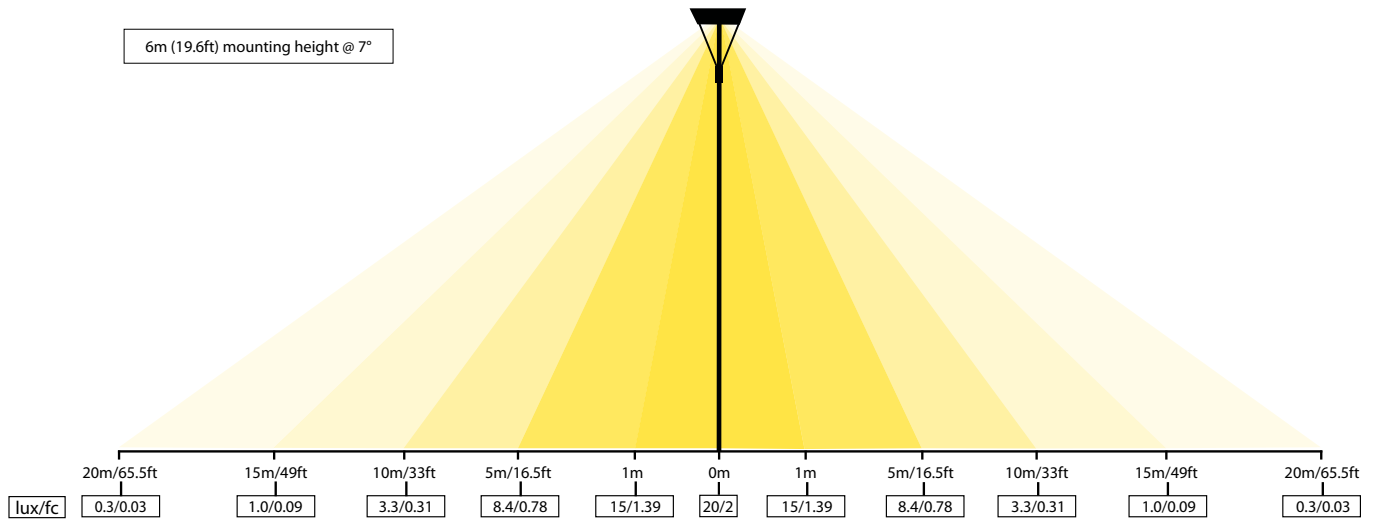
WARRANTY			
UNIT WARRANTY	BATTERY PERFORMANCE		
Solar Panel	25 Years	Base Warranty Period (Below 50% of original capacity design)	5 years
Mounting Bracket	5 Years		
LED Light Fixture	5 Years	61-72 months from purchase date	90% off Standard Price
Electronics	5 Years	73-84 months from purchase date	80% off Standard Price
Battery Defect Warranty	10 Years*	85-96 months from purchase date	70% off Standard Price
*Full warranty details are available on our website at → greenfrogssystems.com.au/warranty		97-108 months from purchase date	55% off Standard Price
		109-120 months from purchase date	40% off Standard Price

GFS-STEALTH SOLAR PATHWAY LIGHT

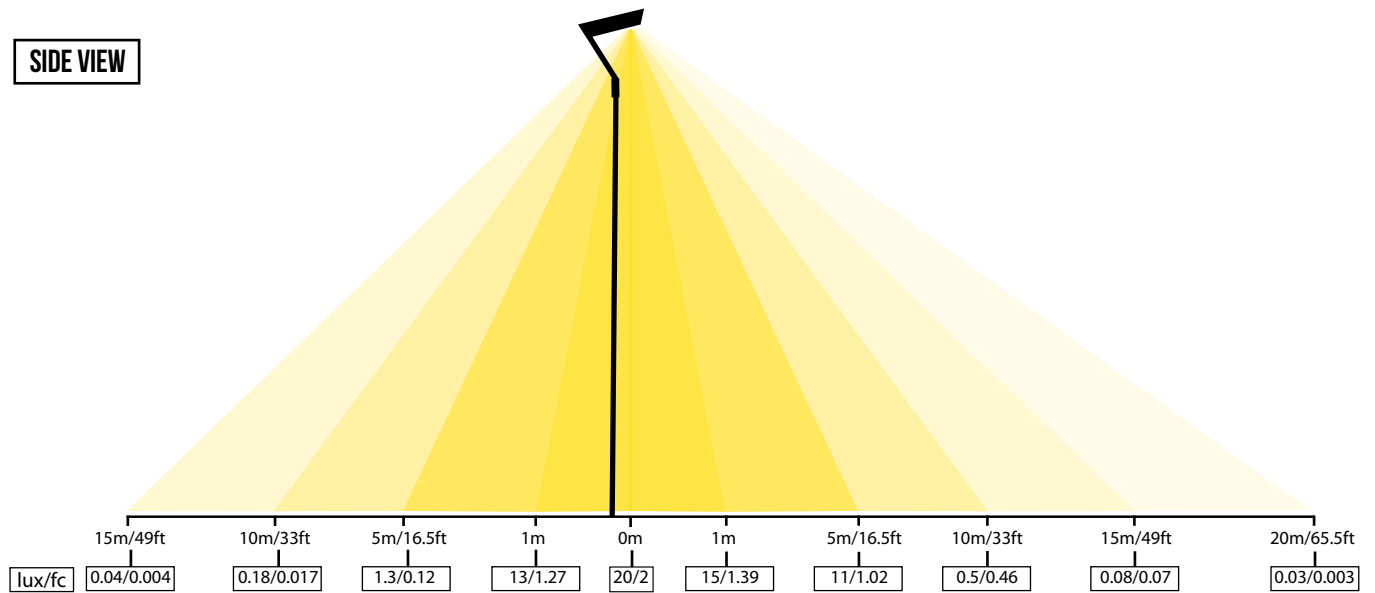


LIGHT DISTRIBUTION

FRONT VIEW

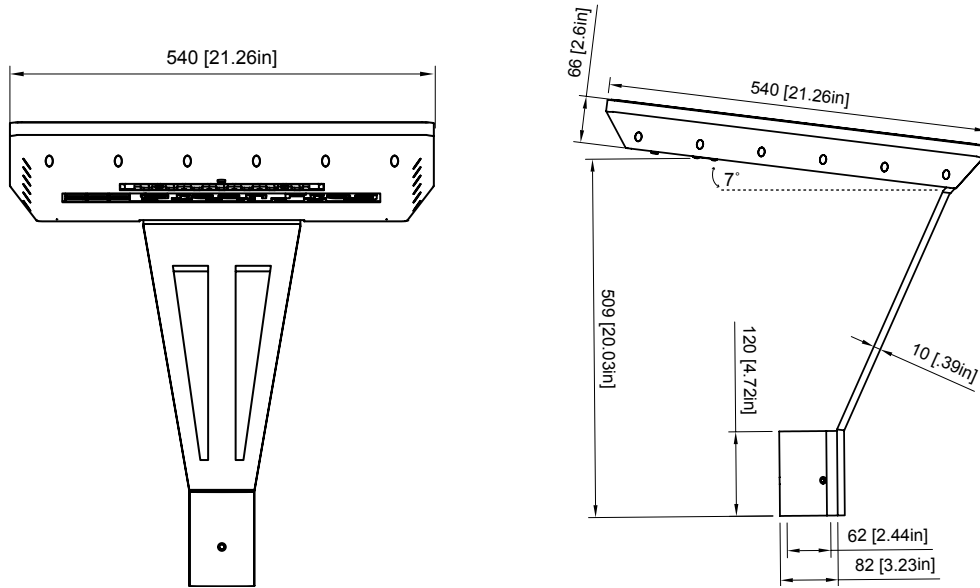


SIDE VIEW

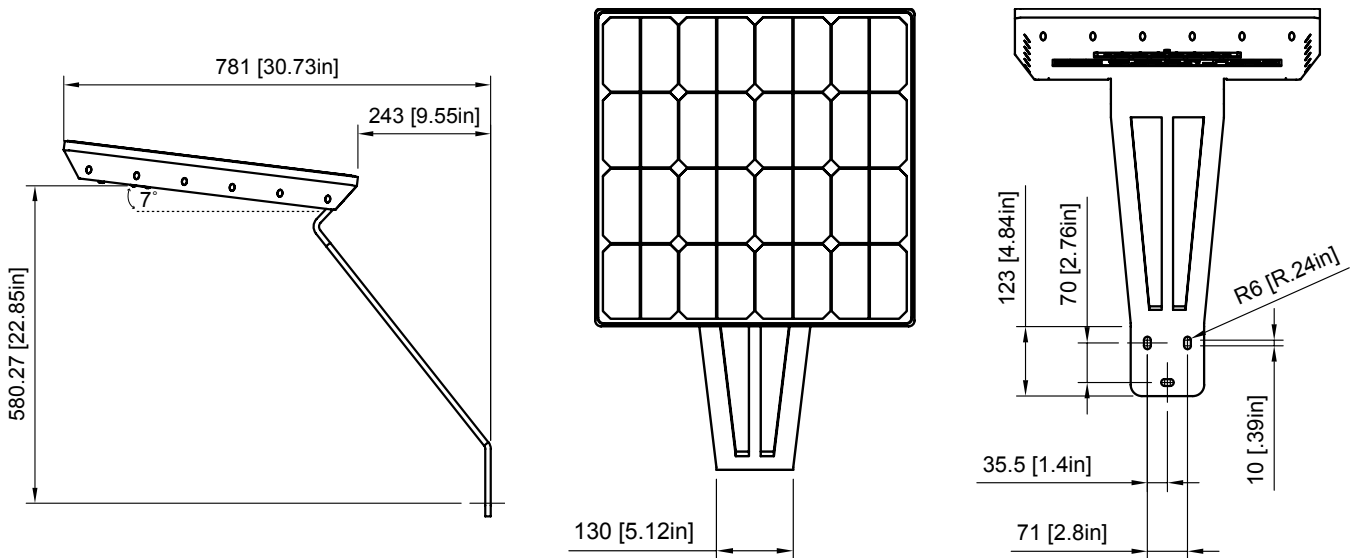


MOUNTING OPTIONS / PRODUCT DIMENSIONS

POLE MOUNT



WALL MOUNT



OTHER CONFIGURATIONS

