

GFS-SENTRY-80

SOLAR LIGHT



80W

12,000lm

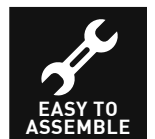


The GFS-SENTRY-80 is a solar street light with an all-in-one design that makes installation simple without the need to connect cables, plugs or batteries. It has an Integrated Li-Ion battery (concealed within the lamp head) and is a perfect choice for customers wanting a general purpose solar street or area light.

The unit is PIR motion activated and safely illuminates outdoor areas and with improved battery access panel, maintenance is made even easier.

APPLICATIONS

- Streets
- Roadways
- Car Parks
- Industrial
- Commercial
- Parks
- Recreation



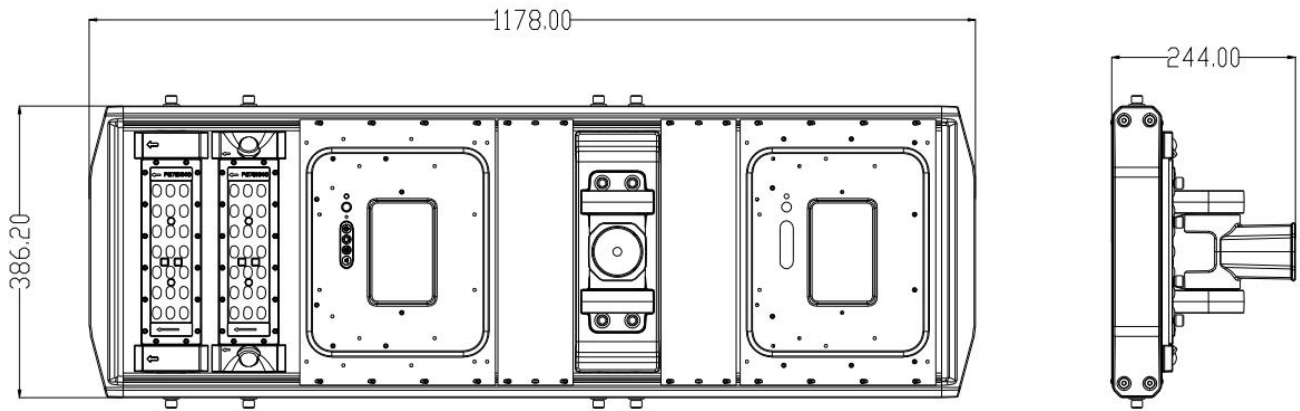
SENTRY-80 SOLAR LIGHT



SPECIFICATIONS	
MODEL	GFS-SENTRY-80
LED	
Type	Cree SMD 3030 / 42PCS
Watts (Light Output)	73W (Max)
Lumens	12000lm
CCT (Colour Temperature)	4000K (Standard) / 3000K (Optional)
4000K (Standard) / 3000K (Optional)	4-5m / 13-14" detection zone Activates for 30 sec.
BATTERY	
Autonomy	50.5 hours (4-5 nights)*
Battery Capacity / Type	14.8v / 32Ah / 473.6Wh Li-ion
SOLAR PANEL	
Watts (p) / Type	55W Monocrystalline
Efficiency	18%
UNIT	
Material	6063-T5 Aluminium Alloy (Black)
Pole Mount Spigot Adaptor	ID - 64mm / 2-3/8" Tennon
Mounting Angle	Adjustable -90° - +90°
Sail Area / EPA	0.393m ² / 4.198ft ²
Product Dimensions	1178L x 386W x 243H mm / 46.38"L x 15.19"W x 9.56"H
Product Weight	19.5kg / 43 lb
Package Dimensions	1390 x 490 x 180 mm / 54.72"L x 19.29"W x 7.08"H
Package Weight	22.4kg / 49.3 lb
ENVIRONMENTAL	
Operating Temp. Range	-20°C-60°C / -4°F-140°F
IP Rating	IP-65
WARRANTY	
Warranty Period	3 years warranty (complete)
OPTIONS	
Direct bury HD Galvanised pole	6m / 20ft total height - 2 sections, powder coated black 60mm / 2-3/8" spigot
Spigot adaptor	76mm / 3" OD
3000K CCT Conversion	Custom modification available - Please Enquire
Wall Mount Bracket	
*Based on real world field test data	

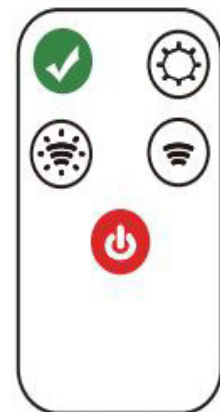
PRODUCT DIMENSIONS

80W



WORKING MODES

- On/Off
- Switch/Confirm
- Constant Lighting Mode
Automatically turns on at dusk and remains 50% brightness.



IR Remote Control
Control distance: ≤15Mtrs

- PIR Sensor Mode
Automatically turns on to full brightness when motion is detected in the range ≤15Mtrs and then dims to 10W for 30 seconds when motion is no longer detected.



- Constant Lighting & PIR Sensor Mode
Automatically turns on at dusk and remains 50% brightness up to 5 hours, then turns to PIR sensor mode.

